

Certificate no: CMNZ25009

Version: 01

Original issue date: 28 August 2023

Version date: 28 August 2023

Product Certificate

Fuzhou ROPO Building Materials Co., Ltd. Fuzhou ROPO Aluminium Doors and Windows

1. Certificate Holder Details



Fuzhou ROPO Building Materials Co., Ltd.

#806 Fusheng Mansion, No. 3 Fuxing Ave, Jin'an District, Fuzhou City, Fujian, 350014 China
benison@chinaropo.com
+86-591-87147106
www.ropowindows.com

2. Product Certification Body

SAI Global Certification Services Pty Limited

(ACN 108 716 669) Trading as "SAI Global"
Operating as "Intertek & Intertek SAI Global"
Level 7 Suite 7.01, 45 Clarence Street, Sydney NSW - Australia
www.saiglobal.com

Complaints: The complaints process for this certificate can be found here:

<https://saassurance.com.au/complaints-appeals/>

3. Description of Building Method or Product

Fuzhou ROPO Aluminium Doors and Windows are a range of aluminium alloy joinery fitted with double-glazed insulated glass units (IGUs). Products are an Aluminium Hinged Door, Aluminium Folding Door, Aluminium Tilt and Turn Window (with thermal break), and Aluminium Hinged Door (with thermal break).

*Matters that should be taken into account in the use or application of the building method or product can be found in item 6. Conditions and Limitations of Use
Continuation of description can be found in item 10 – Supporting Information about Description.*

Product brochure/catalogue or models identification numbers: Refer to item 10 for detailed identification information.

4. Intended use of Building Method or Product

Aluminium doors and windows for external use in housing.

5. New Zealand Building Code Provisions

Clause B1 Structure — B1.3.1; B1.3.2; B1.3.3 (a, h, j); B1.3.4

Clause B2 Durability — B2.3.1 (b); B2.3.1 (c) (for hardware)

Clause E2 External moisture — E2.3.2 (contributes to); E2.3.7

Clause F2 Hazardous building materials — F2.3.1; F2.3.3 (a) or (b)

Clause G4 Ventilation — G4.3.1 (contributes to)

Clause G7 Natural Light — G7.3.1 (contributes to), G7.3.2 (contributes to)

Clause H1 Energy efficiency provisions — H1.3.1 (contributes to); H1.3.2E (contributes to)

How the building method or product complies or contributes can be found in item 8. Basis for Certification.

Any qualifications on the extent of that compliance can be found in item 6. Conditions and limitations of use.



This certificate is issued by an independent certification body accredited by JAS-ANZ, the product certification body appointed by the Chief Executive of the Ministry of Business, Innovation and Employment under the Building Act 2004. This certificate may only be reproduced in its entirety. It is advised to check that this certificate is currently valid and not withdrawn or suspended by referring to the Register of Product Certificates on the Building Performance website <http://www.building.govt.nz>.

Fuzhou ROPO Building Materials Co., Ltd.

Fuzhou ROPO Aluminium Doors and Windows

Certificate no: CMNZ25009

Version: 01

Original issue date: 28 August 2023

Version date: 28 August 2023

6. Conditions and Limitations of Use

- a) **Fuzhou ROPO Aluminium Doors & Windows** are certified for use in buildings:
- within the scope of Acceptable Solution E2/AS1 Third Edition Amendment 10 (5 November 2020) paragraphs 1.1, 1.1.1, & 1.2.1, and
 - with claddings and details as described in Acceptable Solution, E2/AS1 Third Edition Amendment 10 (5 November 2020)
 - located in:
 - i. Wind Zones (as defined in NZS3604:2011 Timber framed buildings) for each model as follows:
 - ROPO70 TT (Aluminium Tilt & Turn Window with Thermal Break) - up to and including Extra High
 - ROPO115 HD (Aluminium Hinged Door with Thermal Break) - up to and including Extra High
 - ROPO100 HD (Aluminium Hinged Door) - up to and including Extra High
 - ROPO100 FD (Aluminium Folding Door) - up to and including High
 - ii. all Exposure Zones, except microclimates, (as defined in NZS3604:2011 Timber framed buildings).
- b) The following models of Fuzhou ROPO Aluminium Doors & Windows are certified for use in the building envelope enclosing spaces where the temperature or humidity (or both) is modified:
- ROPO70 TT (Aluminium Tilt & Turn Window with Thermal Break)
 - ROPO115 HD (Aluminium Hinged Door with Thermal Break)
 - ROPO100 HD (Aluminium Hinged Door)
- c) Establishing compliance with the performance criteria in Building Code clauses H1.3.1(a) and H1.3.2E shall be done using the generic construction R-values in Acceptable Solution H1/AS1 Fifth Edition Amendment 1, (4 August 2022), Table E.1.1.1 with either of the following:
- the calculation method in Acceptable Solution H1/AS1 Fifth Edition Amendment 1, (4 August 2022), or
 - the modelling method in H1/VM1 Fifth Edition Amendment 1, (4 August 2022)
- d) Establishing compliance with the performance criteria in Building Code clause G4.3.1 shall be in accordance with Acceptable Solution G4/AS1 4th Edition, (27 June 2019).
- e) Establishing compliance with the performance criteria in Building Code clauses G7.3.1 and G7.3.2 shall be in accordance with Acceptable Solution G7/AS1 2nd Edition, (29 November 2021).
- f) Fuzhou ROPO Aluminium Doors & Windows shall be installed in accordance with the Fuzhou ROPO Building Materials Co. Ltd - Aluminum Doors and Windows Technical Manual, Version 5, 24 January 2023



This certificate is issued by an independent certification body accredited by JAS-ANZ, the product certification body appointed by the Chief Executive of the Ministry of Business, Innovation and Employment under the Building Act 2004. This certificate may only be reproduced in its entirety. It is advised to check that this certificate is currently valid and not withdrawn or suspended by referring to the Register of Product Certificates on the Building Performance website <http://www.building.govt.nz>.

Fuzhou ROPO Building Materials Co., Ltd.

Fuzhou ROPO Aluminium Doors and Windows

Certificate no: CMNZ25009

Version: 01

Original issue date: 28 August 2023

Version date: 28 August 2023

-
- g) This product is not certified for use where there are fire rating requirements.

NOTE: Together, items 3,4,5 and 6 define scope of use

Reference Documents:

- Fuzhou ROPO Building Materials Co. Ltd - Aluminum Doors and Windows Technical Manual, Version 5, 24 January 2023

7. Health and Safety Information

- Contact certificate holder via website to obtain information about material safety and handling.

8. Basis for Certification

- B1 Structure** – by testing and comparison with provisions of Verification Method B1/VM1; Acceptable Solution E2/AS1; and referenced standard NZS 4211:2008 Specification for Performance of Windows.
- B2 Durability** – by comparison with provisions of Verification Method B2/VM1.
- E2 External Moisture** – by testing and comparison with provisions of Acceptable Solution E2/AS1 and referenced standard NZS4211:2008 Specification for Performance of Windows.
- F2 Hazardous building materials** – by comparison with provisions of Verification Method F2/VM1 and Acceptable Solution F2/AS1.
- G4 Ventilation** – by comparison with product specifications and Acceptable Solution G4/AS1.
- G7 Natural Light** – by comparison with product specifications and Acceptable Solution G7/AS1.
- H1 Energy Efficiency** – by testing and comparison with Acceptable Solution H1/AS1 and Verification Method H1/VM1.

9. Supporting Documentation for Certification

Acceptable Solutions and Verification Methods for New Zealand Building Code:

- Clause B1 Structure** – B1/VM1 Verification Method First Edition, Amendment 20 (29 November 2021); E2/AS1 Acceptable Solution Third Edition, Amendment 10 (5 November 2020); and referenced standard NZS 4211:2008 Specification for Performance of Windows.
- Clause B2 Durability** – B2/VM1 Verification Method Second Edition, Amendment 12 (28 November 2019).
- Clause E2 External Moisture** – E2/AS1 Acceptable Solution Third Edition, Amendment 10 (5 November 2020).
- Clause F2 Hazardous building materials** – F2/VM1 Verification Method and F2/AS1 Acceptable Solution First Edition, Amendment 3 (1 January 2017).
- Clause G4 Ventilation** – G4/AS1 Acceptable Solution, Fourth Edition, (27 June 2019).
- Clause G7 Natural Light** – G7/AS1 Acceptable Solution, Second Edition, (29 November 2021).



This certificate is issued by an independent certification body accredited by JAS-ANZ, the product certification body appointed by the Chief Executive of the Ministry of Business, Innovation and Employment under the Building Act 2004. This certificate may only be reproduced in its entirety. It is advised to check that this certificate is currently valid and not withdrawn or suspended by referring to the Register of Product Certificates on the Building Performance website <http://www.building.govt.nz>.

Fuzhou ROPO Building Materials Co., Ltd.

Fuzhou ROPO Aluminium Doors and Windows

Certificate no: CMNZ25009

Version: 01

Original issue date: 28 August 2023

Version date: 28 August 2023

- **Clause H1 Energy Efficiency Provisions** – H1/AS1 Acceptable Solution Fifth Edition Amendment 1, (4 August 2022); H1/VM1 Verification Method Fifth Edition Amendment 1, (4 August 2022).

Test Reports

- **Intertek, Fuzhou ROPO Building Materials Co., Ltd (ROPO70 TT - Aluminium Tilt & Turn Window with Thermal Break) Test Report No. 210930003SHF-001 (dated 24 December 2021)**
The results demonstrated in this report are compliant with the applicable requirements of NZS 4211:2008 (Amdt 1-2014). This report established the window meets the requirements of the referenced standard NZS 4211: 2008 New Zealand Standard - Specification for performance of windows for EXTRA HIGH wind zone.
- **Intertek, Fuzhou ROPO Building Materials Co., Ltd (ROPO115 HD - Aluminium Hinged Door with Thermal Break) Test Report No. 210930003SHF-003 (dated 24 December 2021)**
The results demonstrated in this report are compliant with the applicable requirements of NZS 4211:2008 (Amdt 1-2014). This report established the door meets the requirements of the referenced standard NZS 4211: 2008 New Zealand Standard - Specification for performance of windows for EXTRA HIGH wind zone.
- **Intertek, Fuzhou ROPO Building Materials Co., Ltd (ROPO100 HD - Aluminium Hinged Door) Test Report No. 210930003SHF-005 (dated 24 December 2021)**
The results demonstrated in this report are compliant with the applicable requirements of NZS 4211:2008 (Amdt 1-2014). This report established the door meets the requirements of the referenced standard NZS 4211: 2008 New Zealand Standard - Specification for performance of windows for EXTRA HIGH wind zone.
- **Intertek, Fuzhou ROPO Building Materials Co., Ltd (ROPO100 FD - Aluminium Folding Door) Test Report No. 210930003SHF-007 (dated 24 December 2021)**
The results demonstrated in this report are compliant with the applicable requirements of NZS 4211:2008 (Amdt 1-2014). This report established the door meets the requirements of the referenced standard NZS 4211: 2008 New Zealand Standard - Specification for performance of windows for HIGH wind zone.
- **Fuzhou ROPO Building Materials Co., Ltd, Durability Declaration (dated 01 February 2023)**
This declaration confirms that Fuzhou ROPO Aluminium Doors and Windows are designed to be durable for more than 15 years for aluminium windows and doors and 5 years for hardware.



This certificate is issued by an independent certification body accredited by JAS-ANZ, the product certification body appointed by the Chief Executive of the Ministry of Business, Innovation and Employment under the Building Act 2004. This certificate may only be reproduced in its entirety. It is advised to check that this certificate is currently valid and not withdrawn or suspended by referring to the Register of Product Certificates on the Building Performance website <http://www.building.govt.nz>.

Fuzhou ROPO Building Materials Co., Ltd.

Fuzhou ROPO Aluminium Doors and Windows

Certificate no: CMNZ25009

Version: 01

Original issue date: 28 August 2023

Version date: 28 August 2023

- **Fuzhou ROPO Building Materials Co., Ltd, Declaration of Conformity (dated 01 February 2023)**

This declaration confirms that the product complies with the requirements for Hazardous Building Materials by way of design and materials.

10. Supporting Information About Description

This certification covers only the following models and their respective maximum dimensions:

ROPO70 TT - Aluminium Tilt & Turn window with Thermal break

Overall Dimensions: 1800mm(H) x 1600mm(W)

Operable Sash Dimensions: 1730mm(H) x 750mm(W)

ROPO115 HD - Aluminium Hinged Door with Thermal break

Overall Dimensions: 2400mm(H) x 900mm(W)

Door Panel Dimensions: 2332mm(H) x 832mm(W)

ROPO100 HD - Aluminium Hinged Door

Overall Dimensions 2400mm(H) x 900mm(W)

Door Panel Dimensions: 2332mm(H) x 832mm(W)

ROPO100 FD - Aluminium Folding Door

Overall Dimensions: 2400mm(H) x 2500mm(W)

Door Panel Dimensions: 2297mm(H) x 782 mm(W)



Fuzhou ROPO Building Materials Co., Ltd.

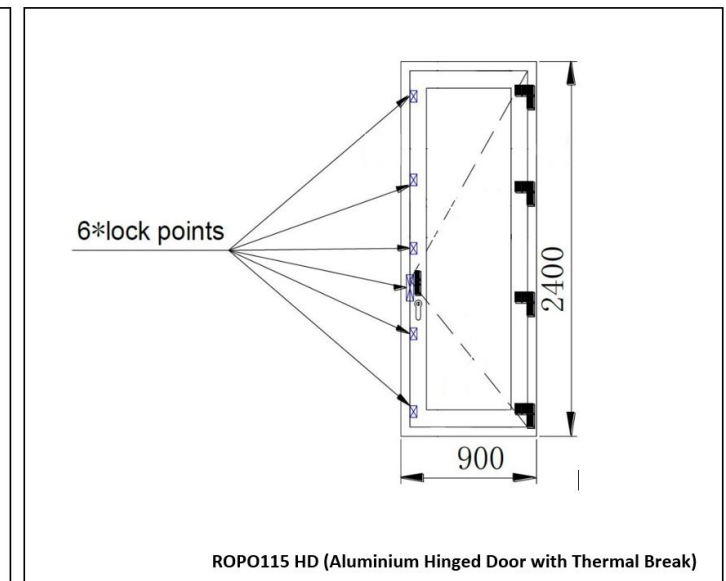
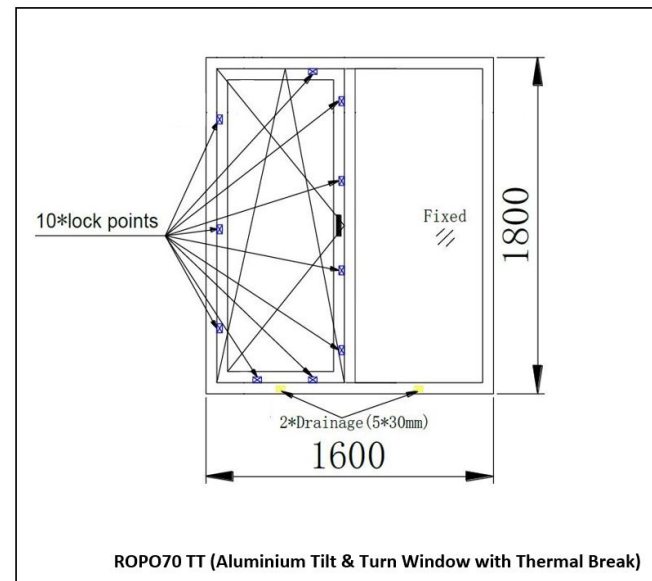
Fuzhou ROPO Aluminium Doors and Windows

Certificate no: CMNZ25009

Version: 01

Original issue date: 28 August 2023

Version date: 28 August 2023



Fuzhou ROPO Building Materials Co., Ltd.

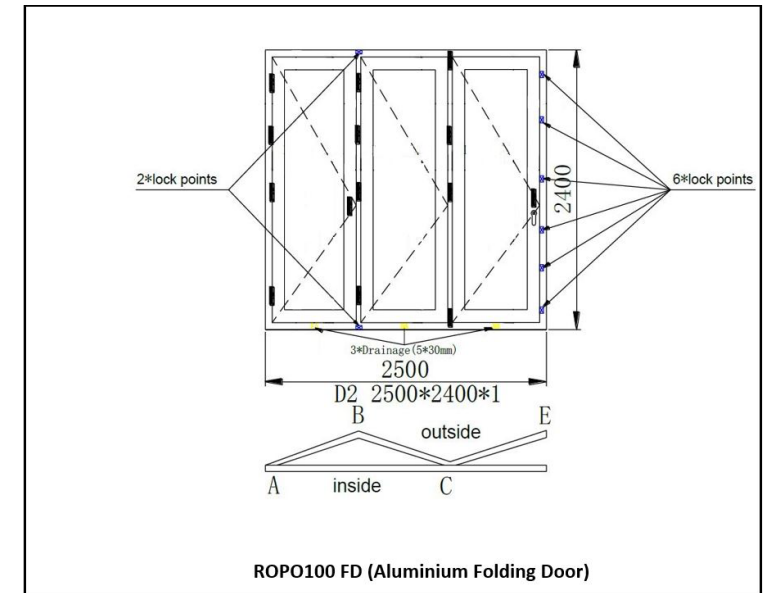
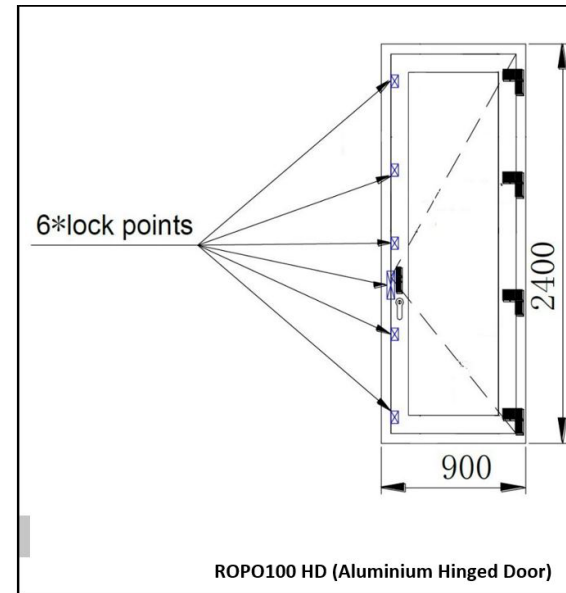
Fuzhou ROPO Aluminium Doors and Windows

Certificate no: CMNZ25009

Version: 01

Original issue date: 28 August 2023

Version date: 28 August 2023



11. Supporting Information About Intended Use

Nil

12. Supporting Information About Conditions and Limitations of Use

- Consideration must be given to glazing rebates as inadequate drainage will affect the durability of insulating glass units and laminated glass.
- Glass selection and glazing shall be in accordance with NZS4223.1:2008 and in locations subject to human impact must be in accordance with NZS4223.3:2016.

Fuzhou ROPO Building Materials Co., Ltd.

Fuzhou ROPO Aluminium Doors and Windows

Certificate no: CMNZ25009

Version: 01

Original issue date: 28 August 2023

Version date: 28 August 2023

Signatures

Name and Signature of the Product Certification Body's (PCB) authorised representative and, where different, the person assigned by the PCB to make the certification decision.



Calin Moldovean
President, Business Assurance
SAI Global Assurance

All CodeMark certificates that are current must be registered with MBIE. MBIE maintains a register of valid product certificates. [Please find the register here.](#)

If the certificate is not listed on this register or it appears as (SUSPENDED), it is not a valid CodeMark certificate and does not have to be accepted by a building consent authority as establishing compliance with the New Zealand Building Code.